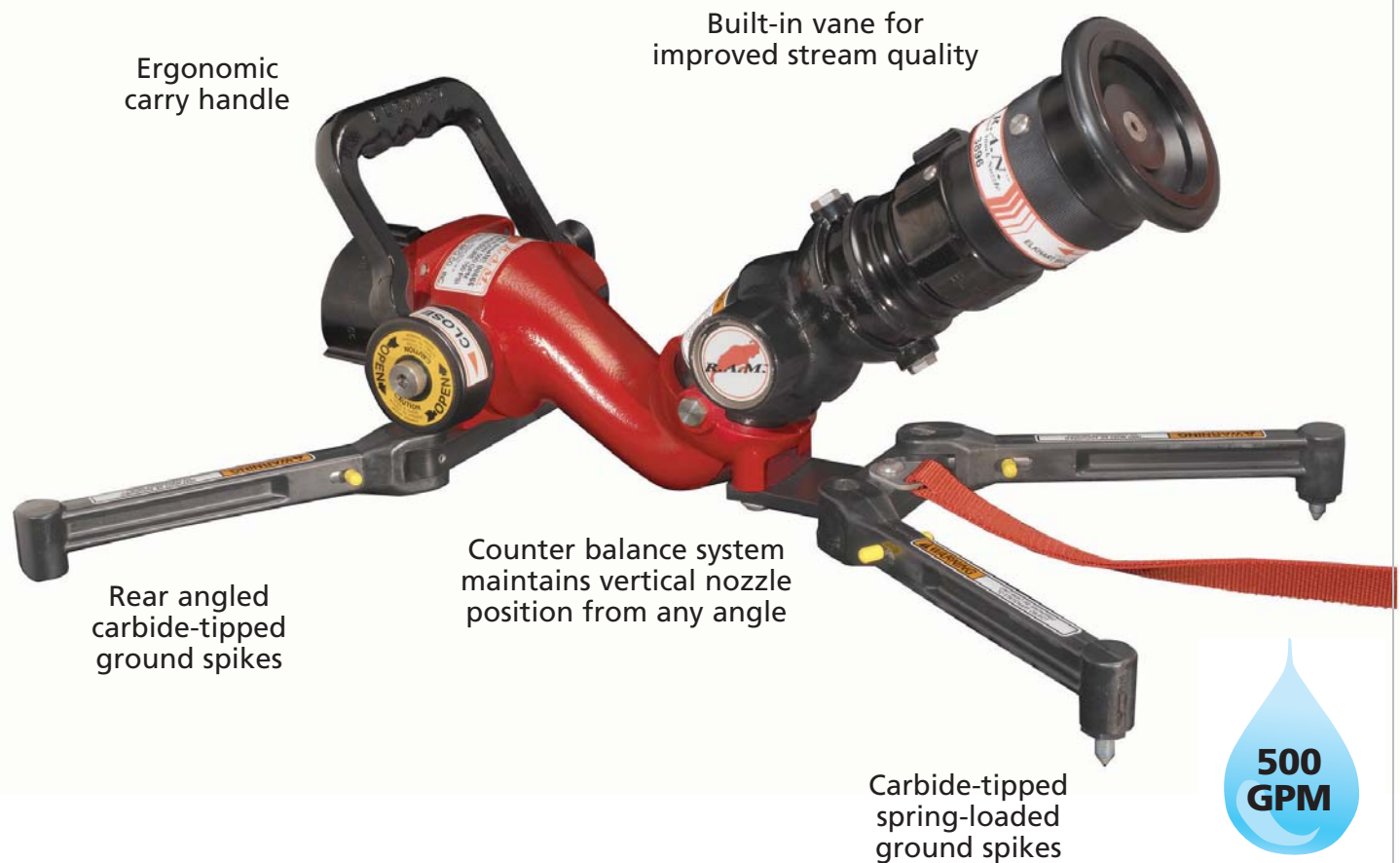


R.A.M.®

- Easily deployed and operated by a single firefighter
- Patent pending hydraulic stability system harnesses reaction force to stabilize the monitor
- Four fold-out forged aluminum legs with carbide-tipped ground spikes extend to the largest footprint in its class for exceptional stability
- Rear ground spikes are angled to help carbide tips grip the surface
- Lock pin holds valve in a closed position to prevent accidental opening, allowing the R.A.M. to be carried attached to a charged line
- Patent pending design lowers friction loss and produces consistent stream quality in all ranges of motion
- Can be stored pre-connected
- Ergonomic U-shaped valve handle
- Attached safety strap includes storage pouch



Ergonomic carry handle

Built-in vane for improved stream quality

Rear angled carbide-tipped ground spikes

Counter balance system maintains vertical nozzle position from any angle

Carbide-tipped spring-loaded ground spikes



MONITORS



RAPID ATTACK MONITOR – R.A.M.®

MONITORS

5-13

SPECIFICATIONS

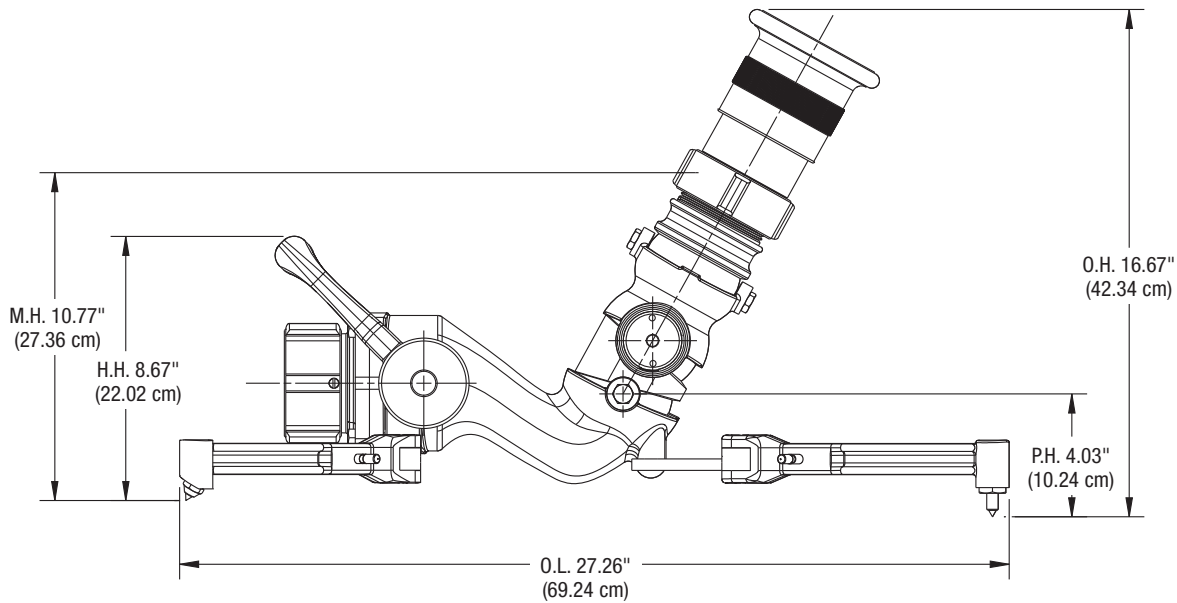
Max. GPM (LPM)	500 (1893)	
Inlet	Size	Type
	2.5"	NHT (F)
Outlet Size	2.5" NHT	
Controls	Manual	
Material/Finish	Elk-O-Lite® with red urethane enamel	
Friction Loss	9.5 psi at 500 gpm	
	5.8 psi at 400 gpm	
Travel	V +20° to +63° (43° – manned)	
	V +35° to +63° (28° – unmanned)	
	H 20° in both directions (40°)	
Weight	17 (Lbs.)	
Ratings and Certifications	CE	

KEY CONFIGURATIONS (ACCESSORIES)



TRUCK STORAGE MOUNT (2)

DIMENSIONS & LAYOUT



(1)

ADDITIONAL INFORMATION

- *Technical Data on monitor performance may be found on page T-10.*
- *Please inquire with our sales staff for additional thread options.*

R.A.M.® Selector Guide

INLET SIZE	OUTLET SIZE	CERTIFICATIONS	MODEL
2.5" NHT	2.5" NHT	CE	
•	•	•	8296
			<i>Illustration</i>

Components & Options Chart

COMPONENTS & OPTIONS		ILLUSTRATION	MODEL
Truck Storage Mount	Truck storage mounting bracket for R.A.M.®	2	8296-MB
R.A.N.®	Rapid Attack Nozzle with built-in stream shaper (specifically designed for use with the R.A.M.®)	3	3896
Deluge tip	Smooth bore nozzle for use with the R.A.M.® (1 ³ / ₈ " discharge)	5	181-A
Stack Tip	Outlet sizes of 1", 1 ¹ / ₄ ", and 1 ¹ / ₂ "	4	000638001
	Outlet sizes of 1 ¹ / ₄ ", 1 ³ / ₈ ", and 1 ¹ / ₂ "	4	000639001
Mini-Stream Shaper	For use with the R.A.N.® stacked tip	6	282-A Mini

Recommended Products

3896 – R.A.N.™	ST-197A STACKED TIP	282-A – MINI STREAM SHAPER	181-A – DELUGE TIP	HF-500A – HYDRO FOAM	CSW-C-HF – SELF-EDUCTING
(3)	(4)	(6)	(5)		
					
<i>Page 6-5</i>	<i>Page 1-29</i>	<i>Page 1-27</i>	<i>Page 1-29</i>	<i>Page 6-14</i>	<i>Page 6-14</i>

Product Highlights

ACTIVE SAFETY SYSTEM

- Should a firefighter stumble, slip or otherwise lose his grip on the R.A.M.®, the monitor automatically raises – increasing the down force for additional stability – to prevent the monitor from moving.

